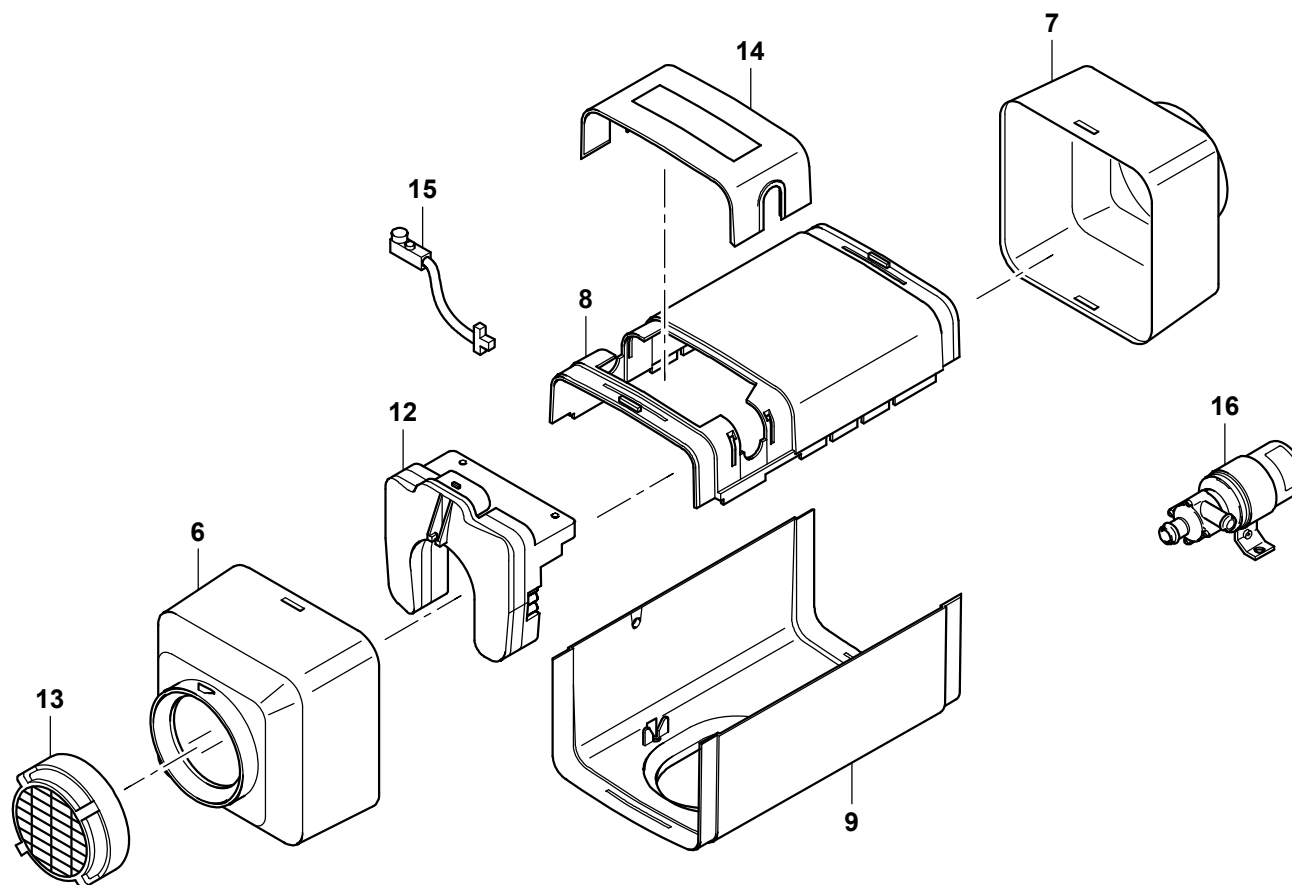


GROVELUFTHEIZGERAET
AIR HEATING DEVICEBILDTAFEL
PICTORIAL DISPLAY**GMK3060**

01.11

3200206-ETL A

1/2



GROVELUFTHEIZGERAET
AIR HEATING DEVICEBILDTADEL
PICTORIAL DISPLAY**GMK3060**

01.11

3200206-ETL A

2/2

